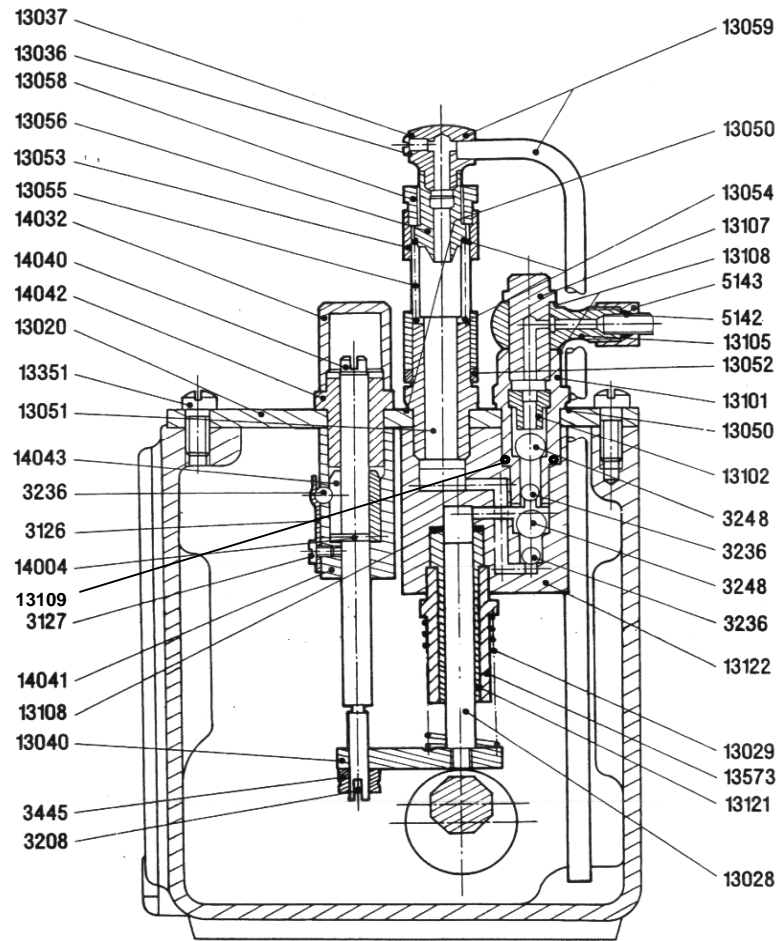


QUERVEL RAUZY MECHANICAL LUBRICATOR PUMP TYPE PR

Sectional drawing and Part list



3126	1	Plate spring for adjustment	13056	1	Drop indicator inlet nozzle
3127	1	Plate spring holding bolt	13058	1	Drop indicator body nut (top)
3208	1	Pin	13059	1	Drop indicator body inlet head
3236	3	Ball D=4 mm	13101	1	Non return valve body
3248	2	Ball D=7 mm	13102	1	Non return valve outlet plug
3445	1	Setting nut	13105	1	Outlet connection
5142	1	Piping ring D=6 mm	13107	1	Outlet connection holding bolt
5143	1	Piping ring nut D=6 mm	13108	3	Outlet connection and cylinder gasket
13020	1	Pump support plate	13109	1	Non return valve O-ring
13028	1	Plunger (supplied with cylinder 13121)	13121	1	Cylinder (supplied grinded with 13028 plunger)
13029	1	Pump spring	13122	1	Pump main body
13036	1	Oil vent screw	13351	2	Holding bolt
13037	1	Vent screw gasket	13573	1	Cylinder holding nut
13040	1	Sliding plate	14004	1	Pin
13050	4	Support/pump gasket	14032	1	Adjusting rod cover
13051	1	Drop indicator base	14040	1	Adjusting rod with pin 14004
13052	1	Drop indicator body nut (bottom)	14041	1	Adjusting rod cylinder
13053	1	Drop indicator body	14042	1	Adjusting rod screw
13054	2	Drop indicator glass gasket	14043	1	Pawl cylinder
13055	1	Drop indicator glass	16491		PR Pump

10/10/03

QUERVEL RAUZY S.a.r.l

167 Rue des Renouillers, 92700 COLOMBES France

Tel: (33-1) 41 19 74 60 Fax: (33-1) 41 19 74 61

Site: www.quervel-rauzy.com