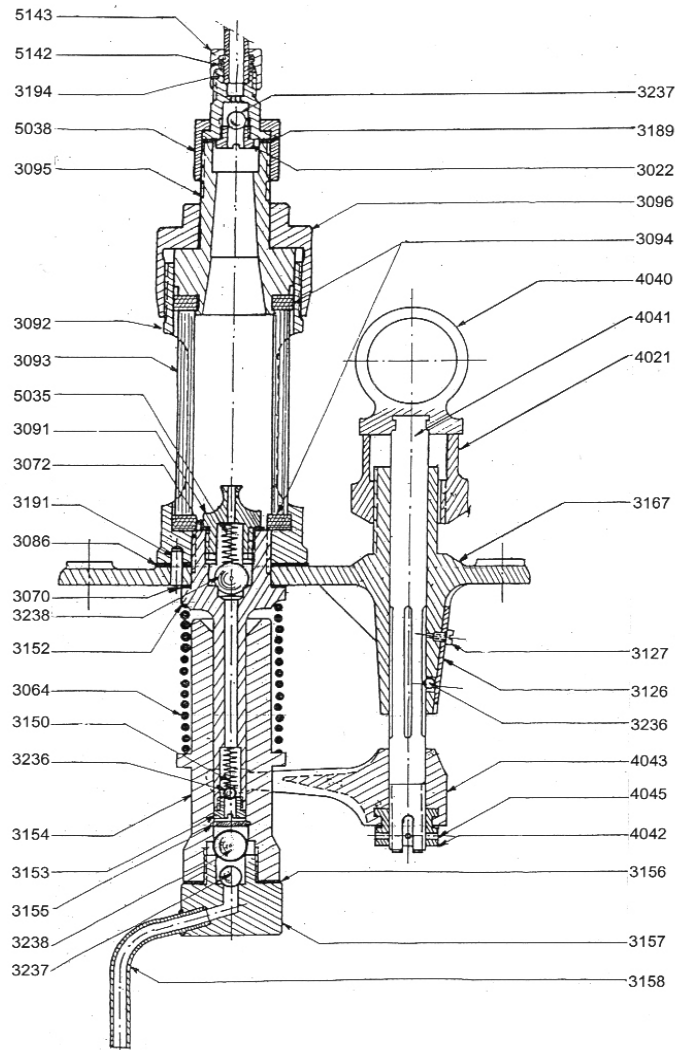


QUERVEL RAUZY MECHANICAL LUBRICATOR PUMP TYPE P

Sectional drawing and Part list



3022	1	Non return ball seat	3156	1	Cylinder gasket
3064	1	Pump spring	3167	1	Pump support
3070	1	Plunger gasket	3189	1	Gasket
3072	1	Outlet nozzle gasket	3191	1	Pin
3086	1	Drop indicator body gasket	3194	1	Outlet connection
3088	1	Suction head (3157 et 3158)	3236	2	Ball D=4 mm
3091	1	Outlet nozzle	3237	2	Ball D=5 mm
3092	1	Drop indicator body	3238	2	Ball D=8 mm
3093	1	Drop indicator glass	4021	1	Adjusting nut
3094	2	Drop indicator gasket	4044	1	Adjusting rod
3095	1	Upper body	4042	1	Adjusting rod nut
3096	1	Drop indicator gland	4043	1	Stroke adjustment piece
3126	1	Adjusting plate spring	4045	1	Adjusting rod nut pin
3127	1	Adjusting plate spring screw	5035	1	Ball D=8 mm spring
3150	1	4 mm ball spring	5038	1	Non return ball seat nut
3152	1	Plunger	5142	1	Piping ring D=6mm
3153	1	Plunger lower seat	5143	1	Piping ring nut D=6 mm
3154	1	Cylinder			
3155	1	Stop shim	6066		P Pump

QUERVEL RAUZY S.a.r.l

167 Rue des Renouillers, 92700 COLOMBES France

Tel: (33-1) 41 19 74 60 Fax: (33-1) 41 19 74 61

Site: www.quervel-rauzy.com